

T10 Replacement LED Globe

- CANbus Compatible
- 10 High Brightness SMD LEDs
- Reverse Polarity Protected
- 50,000 Hours Lifespan
- 32V Over Voltage Protection
- Cool White 6500K

Function	T10 White
Voltage	12-24V
LED Qty	10
Lumens	200m Effective
Fitting	Wedge
Draw	@12V 0.16A



Active

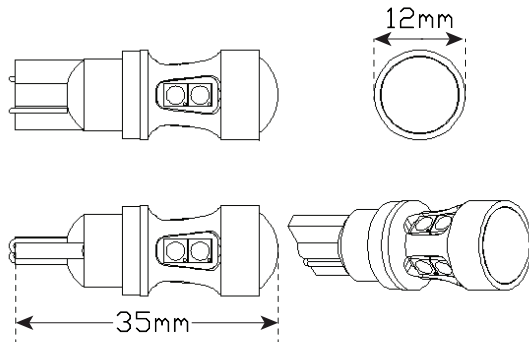


Part No. T10WM

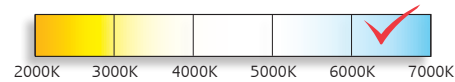
200lm
Effective Lumens

360°
Beam Angle

10 Year
Warranty



Colour temperature scale



Fitting Instructions

Fit wedge end into connector of lamp holder.