

Category 6 Side Direction Indicator

- Suitable for Vehicle GVM Upgrade
- Low Profile, Compact Design
- Easy Fit with 3M Tape & Plug
- IP67 100% Waterproof
- Voltage Range 9-32 Volt

Function Side Direction Indicator

Voltage 9-32V

LED Qty 3

Cable 30cm

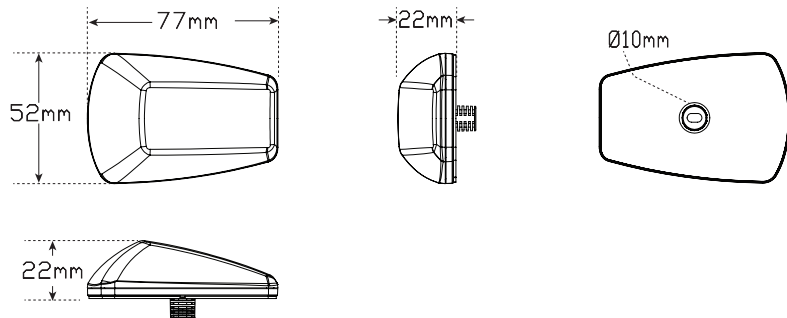
Lens Polycarbonate

Base Polycarbonate

Draw @13.8V 0.12A

@28V 0.08A

Approvals	Function	Approval No.
ECE	Side Direction	E9*6R01/29*22383*00
CTA	Side Direction	CTA-060137



Part No. 77AM2
Amber Lens



Part No. 77ACM2
Clear Lens

Fitting Instructions

Left or right hand mountable. Drill 10mm hole into flat surface and mount horizontally to the ground with 3M Tape and serrated plug, LEDs must be facing the rear of the vehicle. Please refer to ADR 13/00 for mounting instructions.

ECE
Approved
100%
Waterproof
5 Year
Warranty