

# LRB145 Rotating Effect Beacons

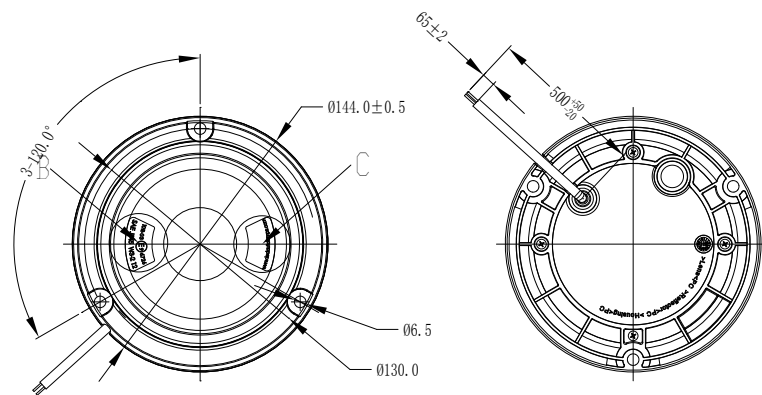
- Rotating pattern
- Shock, dust & water proof
- 3 Year warranty

<b>Function</b>	Rotating effect medium amber beacon
<b>Size</b>	144mm round x 96mm
<b>Voltage</b>	Multivolt 10-30V
<b>LED Qty</b>	24 x 0.2Watt
<b>Rotations</b>	188 per min
<b>Cable</b>	40cm cable
<b>Draw</b>	<b>Peak</b>
@13.8V	0.45A
@28V	0.22A



<b>Approvals</b>	<b>Function</b>	<b>Category</b>
SAE	Beacon	SAE J845 Class 2

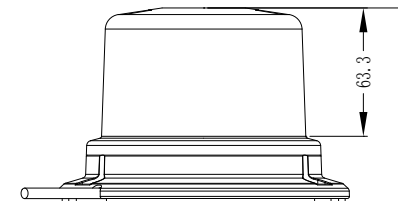
**Part Number**  
LRB145 - 10-30V, Blister single



E mark and SAE, Rate



Rate 4: 1



## Fitting Instructions

Run wires through hole in fixing surface or from the side of the base. Attach with screws provided, ensure foam gasket is between lamp and fixing surface.



All enquiries P: (03) 9466 7075 E: [led@ledtech.com.au](mailto:led@ledtech.com.au), [www.ledautolamps.com](http://www.ledautolamps.com)

All efforts are made to ensure all information is correct and up to date, it can be subject to change without notice. All measurements are in millimeters (mm) and are not to scale.

© All LED Technologies designs are registered throughout the world. - Current as of 14/05/2019

# LRB130 Rotating Effect Beacons

- Rotating pattern
- Shock, dust & water proof
- 3 Year warranty

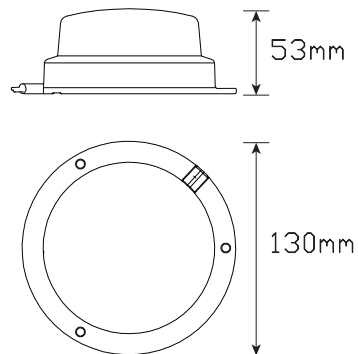
<b>Function</b>	Rotating effect medium amber beacon
<b>Size</b>	130mm round x 53mm
<b>Voltage</b>	Multivolt 10-30V
<b>LED Qty</b>	20
<b>Rotations</b>	150 per min
<b>Cable</b>	40cm cable
<b>Draw</b>	<b>Peak</b>
<b>@13.8V</b>	0.11A
<b>@28V</b>	0.07A



<b>Approvals</b>	<b>Function</b>	<b>Category</b>
<b>SAE</b>	Beacon	SAE J845 Class 3

## Part Number

**LRB130** - 10-30V, Blister single



## Fitting Instructions

Run wires through hole in fixing surface or from the side of the base. Attach with screws provided, ensure foam gasket is between lamp and fixing surface.