

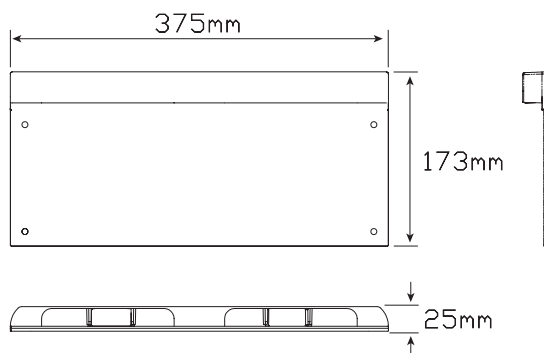
LP1 Licence Plate Lamp Frame

- Plug in Compatible
- ADR Australian Road Approved
- IP67 Rated
- 5 Year Warranty

Function Licence Plate Lamp
Size 375mm x 173mm x 25mm
Voltage Multivolt 12-24V
LED Qty 6
Cable 100cm cable with plug

Draw
@13.8V 0.11A
@28V 0.07A

Approvals	Function	Approval
ADR	Licence 48/00	39611



P/N LP1 - Blister
P/N LP1B - Box



Fitting Instructions

Fit onto flat surface, horizontally. Fixes into same screw pattern as standard Australian licence plates. Comes with clip that fits into back of 100, 150 or 275 lifetime warranty lamps or can be hard wired. Refer to ADR 13/00 for Fitting Instructions.

ADR
Approved
IP67
Protection
5 Year
Warranty



All enquiries P: (03) 9466 7075 E: led@ledtech.com.au, www.ledautolamps.com

All efforts are made to ensure all information is correct and up to date, it can be subject to change without notice. All measurements are in millimeters (mm) and are not to scale.

© All LED Technologies designs are registered throughout the world. - Current as of 18/02/2019