

LB Series 744mm Emergency Bar

- Heavy Duty Emergency Bar
- High Brightness 1 Watt LEDs
- 19 Selectable Flash Patterns
- IP65 Ingress Protection
- Voltage Range 10-30 Volt
- 5 Year Warranty



Part No.
LB744ACM - Box

J845
Class 1

ECE R65
Approved

ECE R10
Approved

IP65
Protection

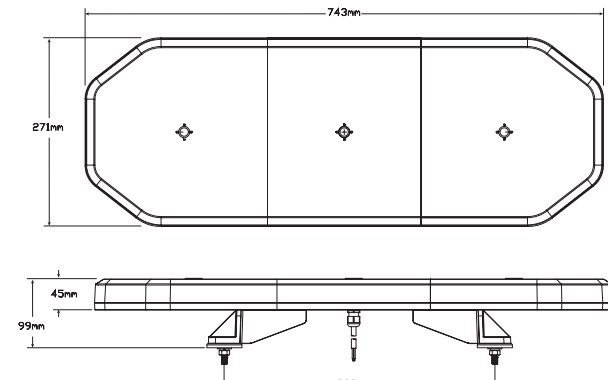
5 Year
Warranty

Function Amber Emergency Bar
Size 743mm x 210mm x 45mm
Voltage Multivolt 10-30V
LED Qty 72 x 1 Watt
LED Lifespan 30,000 Hours
Lumen Raw 5750/Effective 4320
Beam Angle 360° Omnidirectional
Cable 50cm cable
Temp °C Range -40°C to +60°C



FLASH PATTERNS:

1	Single Flash	(ECE R65 Approved)	150
2	Slow Single Flash		70
3	Double Flash		154
4	Quad Flash	(ECE R65 Approved)	86
5	Strobe Flash		1013
6	Slow Alternating Flash		30
7	Alternate Single Flash		70
8	Alternate Flash		217
9	Alternate Double Flash		150
10	Slow Alternating Double Flash		107
11	Fast Alternating Double Flash		90
12	Alternate Quad Flash		70
13	Left to Right Running		223
14	Right to Left Running		223
15	Running from Middle to Sides		200
16	Running from Sides to Middle		200
17	Combi: Left to Right / Right to Left		-
18	Combi 3x Single / 3x Alternate Quad		-
19	Combi: Single / Side to Middle		-



All enquiries P: (03) 9466 7075 E: led@ledtech.com.au, www.ledautolamps.com

All efforts are made to ensure all information is correct and up to date, it can be subject to change without notice. All measurements are in millimeters (mm) and are not to scale.

© All LED Technologies designs are registered throughout the world. - Current as of 24/03/2020

Conditions with Warranty Against Defects

**3 YEAR
WARRANTY**

This warranty covers faults in components and workmanship of the lamp itself when used under normal conditions and does not cover the following:

- Faulty installation
- Over-voltage
- Accidental damage
- Freight charges
- Excessive heat damage
- Misuse or abuse
- Cost of labour for removal and or replacement
- Chemicals that damage plastics as per Chemical Resistance List (see our website for more information).

Making a Claim: All warranty returns must be tested off the vehicle to ensure that the unit is at fault. This can be done by directly attaching the lamps to a fully charged 12-volt battery. Do not replace any products unless you are 100% sure that the suspected faulty product will be covered under warranty. If the unit is faulty, call your place of purchase so it can be directed to the LED Technologies warranty department or contact the LED Autolamps warranty department direct for full testing, evaluation, and warranty repairs.

If you consider the lamp to be faulty, disconnect the wiring of the lamp, remove nuts from bolts and send to: **LED Autolamps Reply Paid 90350, PO Box 2107 Bundoora VIC 3083**, allow five business days for evaluation. Please ensure returned warranties/credits have a completed Warranty Claim Form, which is found on our website under the "Warranty" Tab.

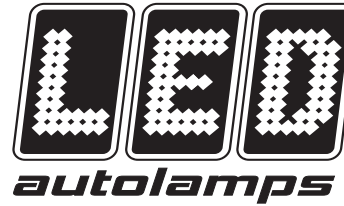
Our goods come with guarantees that cannot be excluded under the Australian Consumer Law. You are entitled to a replacement or refund for a major failure and compensation for any other reasonably foreseeable loss or damage. You are also entitled to have the goods repaired or replaced if the goods fail to be of acceptable quality and the failure does not amount to a major failure.

For more information, contact

LED Autolamps

Phone 03 9466 7075, Email led@ledtech.com.au
or visit our website www.ledautolamps.com.

Head Office 42 Enterprise Drive Bundoora Vic 3083



LED WARNING LIGHTBAR

R65 + R10 APPROVED - SAE/J845 Class 1 Compliant

Operating Instructions

Part No. LB356ACM / Part No. LB744ACM / Part No. LB964ACM

IMPORTANT! Read all instructions before installing and operating lightbar. This manual must be delivered to the end user. This manual assumes installation by a suitably qualified automotive technician.

SPECIFICATION:

Function	Warning Lightbar
LED Colour	Amber
Voltage Range	10–30VDC
Max Power	36W / 72W / 90W
LED#	36 / 72 / 90 / 108
Flash Pattern#	19
Approval	ECE R10, R65
Ingress Protection	IP65
Optics	TIR
Mounting	Permanent 4-Point Mounting Feet

FLASH PATTERNS:

1	Single Flash (R65, SAE/J845 Class 1 Compliant)	150
2	Slow Single Flash	70
3	Double Flash	154
4	Quad Flash (R65, SAE/J845 Class 1 Compliant)	86
5	Strobe Flash	1013
6	Slow Alternating Flash	30
7	Alternate Single Flash	70
8	Alternate Flash	217
9	Alternate Double Flash	150
10	Slow Alternating Double Flash	107
11	Fast Alternating Double Flash	90
12	Alternate Quad Flash	70
13	Left to Right Running	223
14	Right to Left Running	223
15	Running from Middle to Sides	200
16	Running from Sides to Middle	200
17	Combi: Left to Right / Right to Left	-
18	Combi 3x Single / 3x Alternate Quad	-
19	Combi: Single / Side to Middle	-

PRE-INSTALLATION! Carefully unpack and inspect the lightbar and all mounting accessories before attempting installation. If any parts are found to be damaged or missing please contact your LED Autolamps distributor for advice.

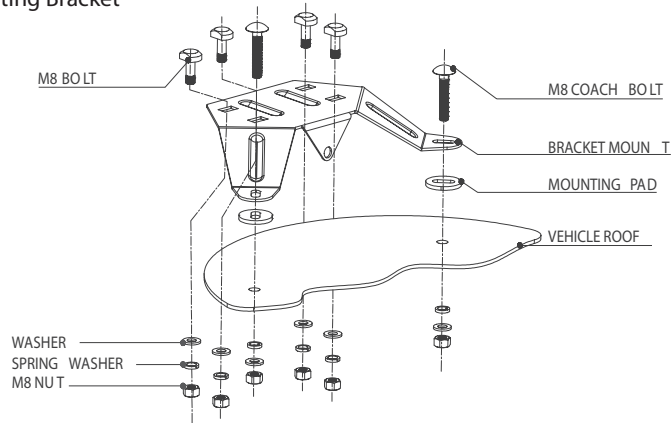
MOUNTING LOCATION! Ensure the chosen mounting location is a smooth flat area of the vehicle roof. Position the lightbar centrally to the vehicle's width. When mounting the lightbar ensure it is level from front-to-back and left-to-right. Ensure there are no obstructions limiting visibility to traffic.

PRE-INSTALLATION! Plan all cable routing before proceeding with installation. When drilling vehicle surface ensure the area is free from any wires, fuel lines, upholstery, air bags etc. that could be damaged.

MOUNTING BRACKET:

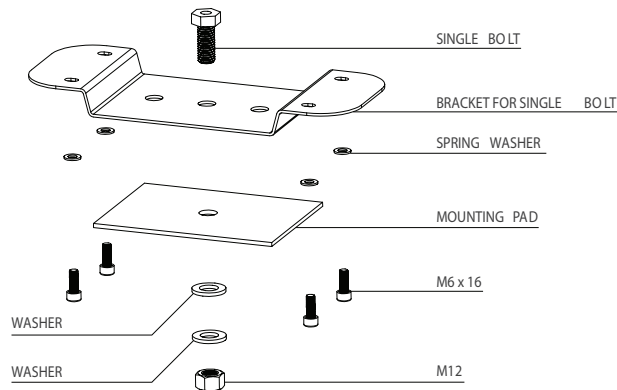
Four-Point mounting Bracket

fig. 1



Single-Bolt Mount (Part No. LB356AM only)

fig. 2



IMPORTANT! This unit is a safety device and it must be connected to its own separate, fused power point to assure its continued operation should any other electrical accessory fail. Do not wire in parallel with any other accessory. Disconnect the battery before wiring up the lightbar, to prevent accidental shorting, arcing and/or electrical shock.

WIRING INSTRUCTIONS:

Route wires from the vehicle positive feed to the switch panel in the cab.

Use suitable high-temperature vehicle wire if it passes through the engine compartment.

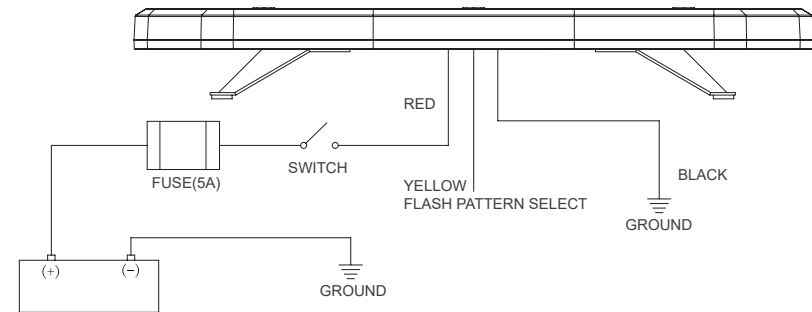
Install a suitable in-line fuse as close to the power feed as possible. See wiring diagram (fig.3).

Ensure lightbar Black wire is connected to ground source on vehicle.

Use cable ties and grommets to secure and protect all cables and wires.

⚠ If in doubt, please consult a qualified automotive electrician.

WIRING DIAGRAM:



Next Pattern, Touch Yellow wire to Red +VDC for 0.3 sec.

Return to Default Pattern #1, Touch Yellow wire to Red +VDC for 4 sec.

MULTIPLE LAMP SYNCRONISATION

First, select your desired flash pattern on all lamps, then join all the yellow wires to maintain synchronisation

LB356ACM - Will synchronise on all-flash patterns

LB744ACM - Will synchronise on Pattern # 1-12 **LB964ACM** - Will synchronise on Pattern # 1-12