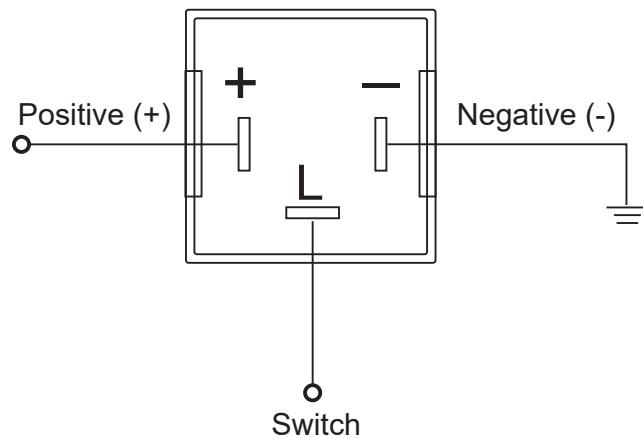


# Adjustable Flasher Relay

- Fixes Fast Flash Rate
- Dual Operating Voltage
- Standard 3-Pin Terminals
- 1 Year Warranty

<b>Function</b>	Adjustable Flaser
<b>Size</b>	30mm x 30mm x 30mm
<b>Voltage</b>	11-15VDC, 22-30VDC
<b>Flash Rate</b>	60-120 Flashes Per Minute



#### Part Number

- FLR-01** - Single Blister
- FLASHER1** - Single Bulk



All enquiries P: (03) 9466 7075 E: [led@ledtech.com.au](mailto:led@ledtech.com.au), [www.ledautolamps.com](http://www.ledautolamps.com)

All efforts are made to ensure all information is correct and up to date, it can be subject to change without notice. All measurements are in millimeters (mm) and are not to scale.

© All LED Technologies designs are registered throughout the world. - Current as of 22/09/2020