

# FL2 Series Flood Lamps

- Heavy Duty Flood Lamp
- High Brightness 3 Watt LEDs
- Colour Temperature 6000K
- Heavy Duty Aluminium Base
- IP67 100% Water proof
- Voltage Range 9-32 Volt
- 2 Year Warranty

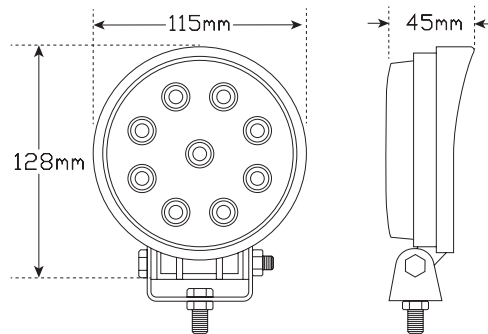
**IP67  
Protection**

**1080 Effective  
Lumen Output**

**2 Year  
Warranty**

<b>Function</b>	Flood Lamp
<b>Size</b>	115mm x 128mm x 45mm
<b>Voltage</b>	Multivolt 9-32V
<b>LED Qty</b>	9 x 3 Watt
<b>Colour Temp</b>	6000K/6500K
<b>Lumen</b>	Raw - 1170lm Effective - 1080lm
<b>Lux@1m</b>	2837lx
<b>Cable</b>	230mm

<b>Draw @13.8V</b>	1.1A
<b>@28V</b>	0.53A
<b>Lens</b>	PMMA
<b>Base</b>	Aluminium
<b>Fitting</b>	Stainless Steel



Inactive



Active



Part No. FL1



## Fitting Instructions

Fix to mounting surface using stainless steel bolts and adjustable stainless steel bracket supplied.



All enquiries P: (03) 9466 7075 E: [led@ledtech.com.au](mailto:led@ledtech.com.au), [www.ledautolamps.com](http://www.ledautolamps.com)

All efforts are made to ensure all information is correct and up to date, it can be subject to change without notice. All measurements are in millimeters (mm) and are not to scale.

© All LED Technologies designs are registered throughout the world. - Current as of 03/10/2018