

Bayonet Replacement LED Globes

- CANbus Compatible
- 18 High Brightness SMD LEDs
- Reverse Polarity Protected
- 50,000 Hrs Lifespan
- 32V Over Voltage Protection

570lm
Effective Lumens

360°
Beam Angle

10 Year
Warranty

Function Indicator/Stop-Tail/Reverse

Voltage 12-24V

LED Qty 18

Effective Lumens	Stop	Tail	Indicator	Reverse
	380lm	125lm	380lm	570lm

Fitting BA15S/BAU15S/BAY15D/BA15S

Draw @12V 0.43A



P/N. 1156WM
(BA15S)
Reverse



P/N. 1157RM
(BAY15D)
Stop/Tail



P/N. 7057AM
(BAU15S)
Indicator



P/N. 1156AM
(BA15S)
Indicator



Active



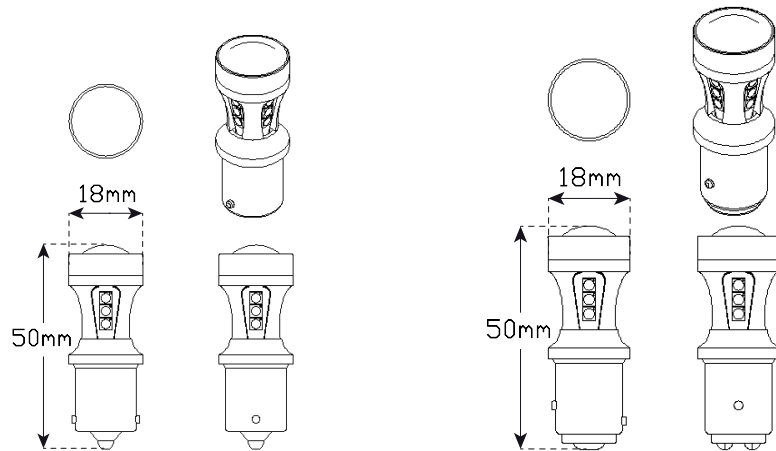
Active



Active



Active



Fitting Instructions

Fit bayonet end into connector of lamp holder.



All enquiries P: (03) 9466 7075 E: led@ledtech.com.au, www.ledautolamps.com

All efforts are made to ensure all information is correct and up to date, it can be subject to change without notice. All measurements are in millimeters (mm) and are not to scale.

© All LED Technologies designs are registered throughout the world. - Current as of 18/02/2019