

83 Series (Amber)

- Amber Conforms to Australian Standard AS4192-2006
- Centre brightness 700Cd
- IP67 Water & dust proof
- Vibration resistant
- 5 Year warranty

Function	Arrow board/Trafficator lamp		
Size	140mm round x 83mm		
Voltage	12 Volt		
LED Qty	48 x 30° round		
Output	700Cd Centre brightness		
Cable	10cm cable		
Base	Polycarbonate		
"O" Ring	EPDM Rubber (2mm Diameter)		
Draw	Red	Amber	Green
@13.8V	0.42A	0.42A	0.66A



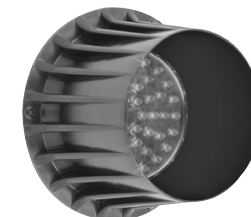
Red Arrow Board/Trafficator Lamp
83R - Box



Amber Arrow Board/Trafficator Lamp
83A - Box



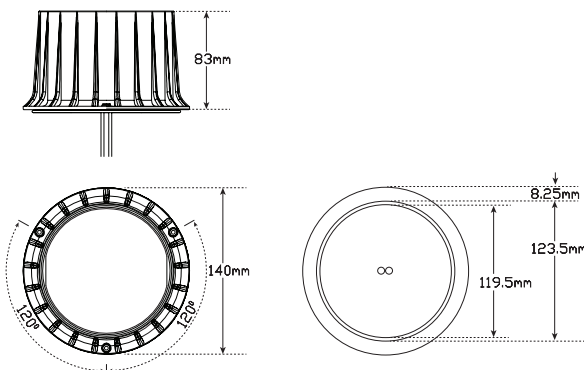
Green Arrow Board/Trafficator Lamp
83G - Box



Inactive

Fitting Instructions

Fit to flat surface with three rivets supplied ensuring 4 inch "O" ring is positioned under base to ensure vibration resistance. Run wires from back of lamp.



All enquiries P: (03) 9466 7075 E: led@ledtech.com.au, www.ledautolamps.com

All efforts are made to ensure all information is correct and up to date, it can be subject to change without notice. All measurements are in millimeters (mm) and are not to scale.

© All LED Technologies designs are registered throughout the world. - Current as of 13/2/2017