

45 Series Diffused Marker Lamps

- Diffused Marker with Inbuilt Reflector
- Surface Mount with 10mm Rear Wire Hole
- ECE Australian Road Approved
- ECE R10 for EMC Interference
- IP67 Ingress Rated
- Voltage Range 12-24 Volt
- 5 Year Warranty

ECE
Approved

IP67
Rated

5 Year
Warranty



Rear End Outline Marker/Reflex Reflector

Part Number

45RMB - Single Bulk

Barcode 9314728071282



Side Marker/Reflex Reflector

Part Number

45AMB - Single Bulk

Barcode 9314728071299



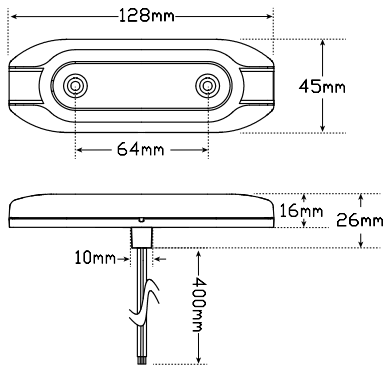
Front End Outline Marker/Reflex Reflector

Part Number

45WMB - Single Bulk

Barcode 9314728071305

| | |
|------------------|---------------------|
| Function | Marker Lamps |
| Size | 128mm x 45mm x 16mm |
| Voltage | 12-24 Volt |
| Cable | 40cm |
| Lens | PMMA Acrylic |
| Base | ABS |
| Approvals | CTA |
| ECE | 062009 |



Screw Surface Mount

Surface-mount horizontally onto a flat surface with screws, ensuring the EVA pad is between the lamp and the fitting surface; run the wire through the hole in the fixing surface. Please refer to ADR 13/00 for mounting instructions.

Wire Colours: Black - Power, White - Earth

All enquiries P: 1800 815 000 E: contact@esg.global, www.ledautolamps.com

All efforts are made to ensure all information is correct and up to date, it can be subject to change without notice. All measurements are in millimetres (mm) and are not to scale.

All LED Autolamps designs are registered throughout the world. - Current as of 31/3/2026



A Clariance Technologies Company