

# 144 Series Strobe Beacon

SAE/J845  
Class 1

100%  
Water Proof

3 Year  
Warranty

- SAE: J845 Class 1 Compliant
- High Powered 3 Watt SMD LEDs
- Strobe Rate 87 FPM
- Voltage Range 12-32V
- IP67 100% Water/Dust Proof
- 3 Year Warranty

<b>Function</b>	Warning Strobe Beacon
<b>Size</b>	130mm Round x 97mm
<b>Voltage</b>	Multivolt 12-32V
<b>LED Qty</b>	6 x 3 Watt SMD
<b>Cable Fixed</b>	19cm Sheathed
<b>Flash Rate</b>	87 FPM
<b>Lens</b>	Polycarbonate
<b>Base</b>	Nylon

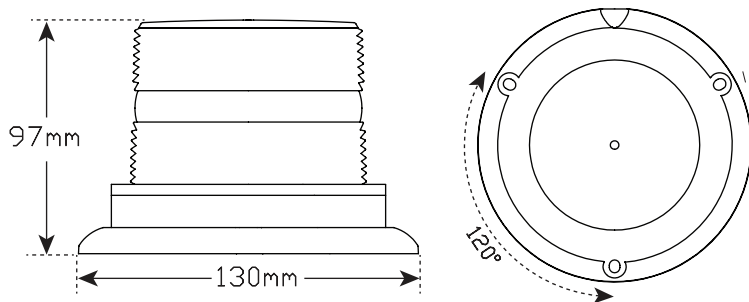


Inactive



Active

	<b>@13.8V</b>	<b>@28V</b>
<b>Draw</b>	0.71A	0.28A



## Fitting Instructions

Fixed mount - Run cable through hole in mounting surface, fix beacon using bolts supplied



Part No. 144AMF - Blister



All enquiries P: (03) 9466 7075 E: [led@ledtech.com.au](mailto:led@ledtech.com.au), [www.ledautolamps.com](http://www.ledautolamps.com)

All efforts are made to ensure all information is correct and up to date, it can be subject to change without notice. All measurements are in millimeters (mm) and are not to scale.

© All LED Technologies designs are registered throughout the world. - Current as of 24/8/2017