

111 Series Strobe beacon

100%
Water Proof

5 Year
Warranty

- Amber Strobe Beacon
- High Powered GIII LEDs
- IP67 100% Water proof
- Voltage Range 10-36 Volt
- 3 Year Warranty

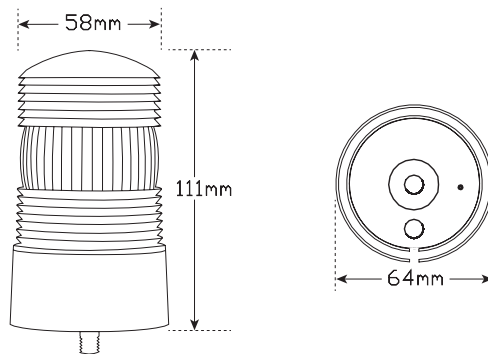
Function	Amber Strobe Beacon
Size	111mm x 64mm
Voltage	Multivolt 10-36V
Flash Rate	45 FPM
LED Qty	3 x 3 Watt GEN III
Cable Fixed	34cm
Lens	Polycarbonate
Base	Black ABS

Draw @13.8V @28V

0.13A 0.13A



Mini Strobe Emergency Lamp
111AM - Blister



Fitting Instructions

Fit to flat surface with foam gasket fitted between lamp and fixing surface using bolt in centre of lamp.



All enquiries P: (03) 9466 7075 E: led@ledtech.com.au, www.ledautolamps.com

All efforts are made to ensure all information is correct and up to date, it can be subject to change without notice. All measurements are in millimeters (mm) and are not to scale.

© All LED Technologies designs are registered throughout the world. - Current as of 13/2/2017