



Part No. 10974 (E27), 11476 (B22)

Product Code: A6014.5W

Product Description

The LED Bulb delivers a glow effect for a welcoming, warm atmosphere, making it ideal for general lighting applications. Its unique design radiates warm light all around, making it a true alternative to the incandescent lamp. It is particularly suited to public areas such as lobbies, corridors, stairwells, where the light is always on. Compatible with existing fixtures and designed for retrofit replacement incandescent bulbs, it delivers huge energy savings and minimizes maintenance cost without any compromise on light quality. Dimmable bulbs can be used together with most leading-edge dimmers, driving further efficiencies while helping to create the desired atmosphere. The product is free of mercury and other hazardous materials.

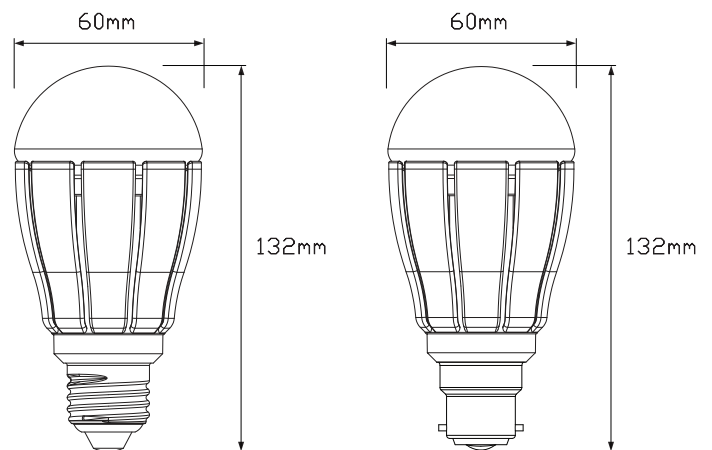
Features

- Warm white light
- Up to 80% energy saving compared with incandescent bulbs
- Easy (retrofit) replacement
- Lower maintenance costs
- Dimmable with compatible dimmers only (not supplied)

Product Data

Capbase	E27, B22
Technical voltage	220-240V
Wattage	14.5W
Lumens	806lm
Colour Temp	2700K,
Colour Rendering Index	80
Lifetime (LM70)	30,000 hours

Dimensional Drawing





Part No. 10981 (E27), 10998 (B22)
Product Code: A6012.0W

Product Description

The LED Bulb delivers a glow effect for a welcoming, warm atmosphere, making it ideal for general lighting applications. Its unique design radiates warm light all around, making it a true alternative to the incandescent lamp. It is particularly suited to public areas such as lobbies, corridors, stairwells, where the light is always on. Compatible with existing fixtures and designed for retrofit replacement incandescent bulbs, it delivers huge energy savings and minimizes maintenance cost without any compromise on light quality. Dimmable bulbs can be used together with most leading-edge dimmers, driving further efficiencies while helping to create the desired atmosphere. The product is free of mercury and other hazardous materials.

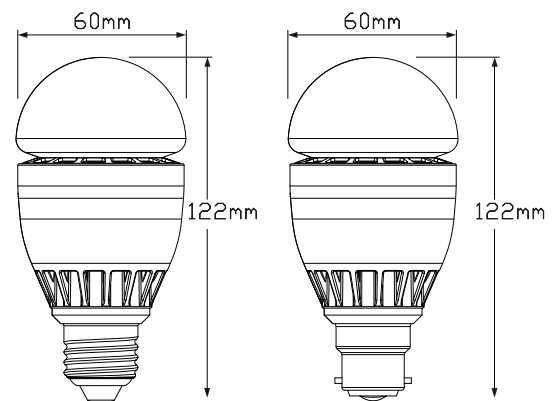
Product Data

Capbase	E27, B22
Technical voltage	220-240V
Wattage	12W
Lumens	650lm
Colour Temp	3000K
Colour Rendering Index	80
Lifetime (LM70)	30,000 hours

Features

- Warm white light
- Up to 80% energy saving compared with incandescent bulbs
- Easy (retrofit) replacement
- Lower maintenance costs

Dimensional Drawing





Part No. 11001 (E27), 11018 (B22)

Product Code: A608.0W

Product Description

The LED Bulb delivers a glow effect for a welcoming, warm atmosphere, making it ideal for general lighting applications. Its unique design radiates warm light all around, making it a true alternative to the incandescent lamp. It is particularly suited to public areas such as lobbies, corridors, stairwells, where the light is always on. Compatible with existing fixtures and designed for retrofit replacement incandescent bulbs, it delivers huge energy savings and minimizes maintenance cost without any compromise on light quality. Dimmable bulbs can be used together with most leading-edge dimmers, driving further efficiencies while helping to create the desired atmosphere. The product is free of mercury and other hazardous materials.

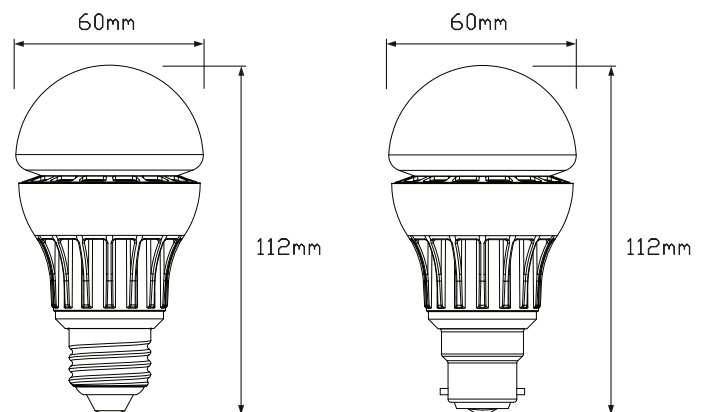
Product Data

Capbase	E27, B22
Technical voltage	220-240V
Wattage	8W
Lumens	470lm
Colour Temp	3000K
Colour Rendering Index	80
Lifetime (LM70)	30,000 hours

Features

- Warm white light
- Up to 80% energy saving compared with incandescent bulbs
- Easy (retrofit) replacement
- Lower maintenance costs

Dimensional Drawing





Part No. 11025 (E27), 11032 (B22)

Product Code: A555.0W

Product Description

The LED Bulb delivers a glow effect for a welcoming, warm atmosphere, making it ideal for general lighting applications. Its unique design radiates warm light all around, making it a true alternative to the incandescent lamp. It is particularly suited to public areas such as lobbies, corridors, stairwells, where the light is always on. Compatible with existing fixtures and designed for retrofit replacement incandescent bulbs, it delivers huge energy savings and minimizes maintenance cost without any compromise on light quality. Dimmable bulbs can be used together with most leading-edge dimmers, driving further efficiencies while helping to create the desired atmosphere. The product is free of mercury and other hazardous materials.

Product Data

Capbase	E27, B22
Technical voltage	220-240V
Wattage	5W
Lumens	250lm
Colour Temp	2700K
Colour Rendering Index	80
Lifetime (LM70)	30,000 hours

Features

- Warm white light
- Up to 80% energy saving compared with incandescent bulbs
- Easy (retrofit) replacement
- Lower maintenance costs

Dimensional Drawing

